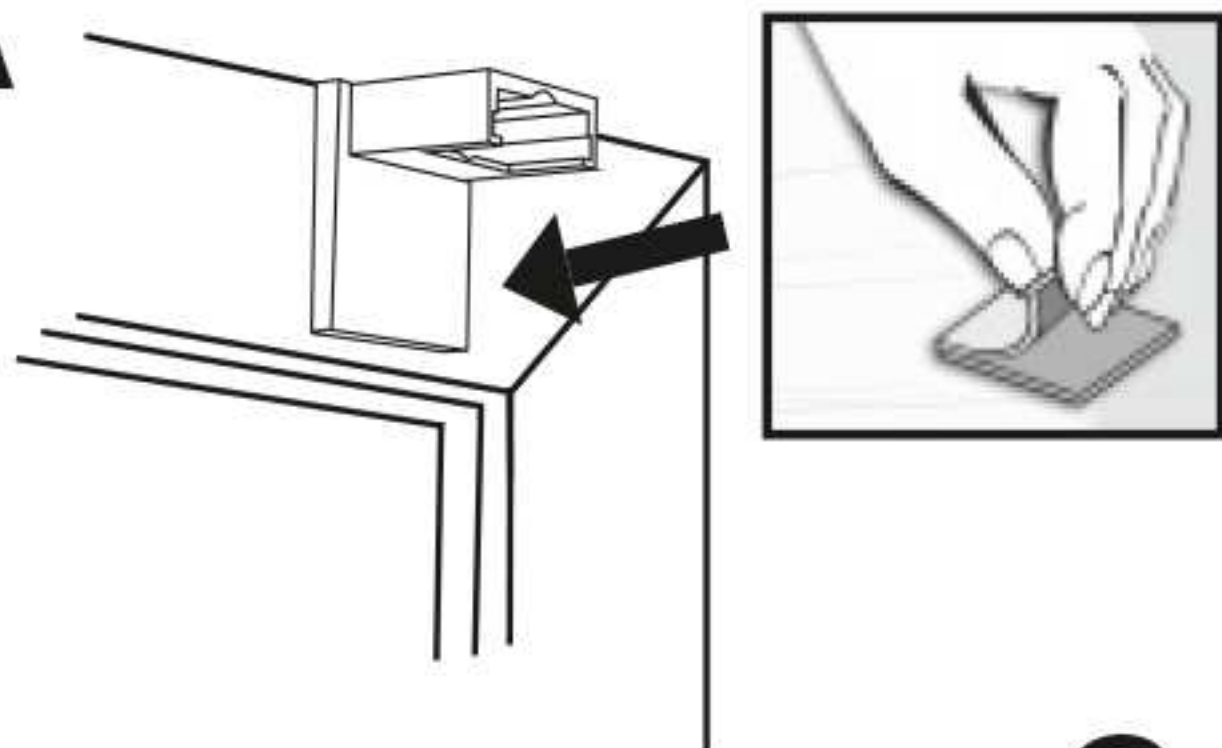


4 x ✓

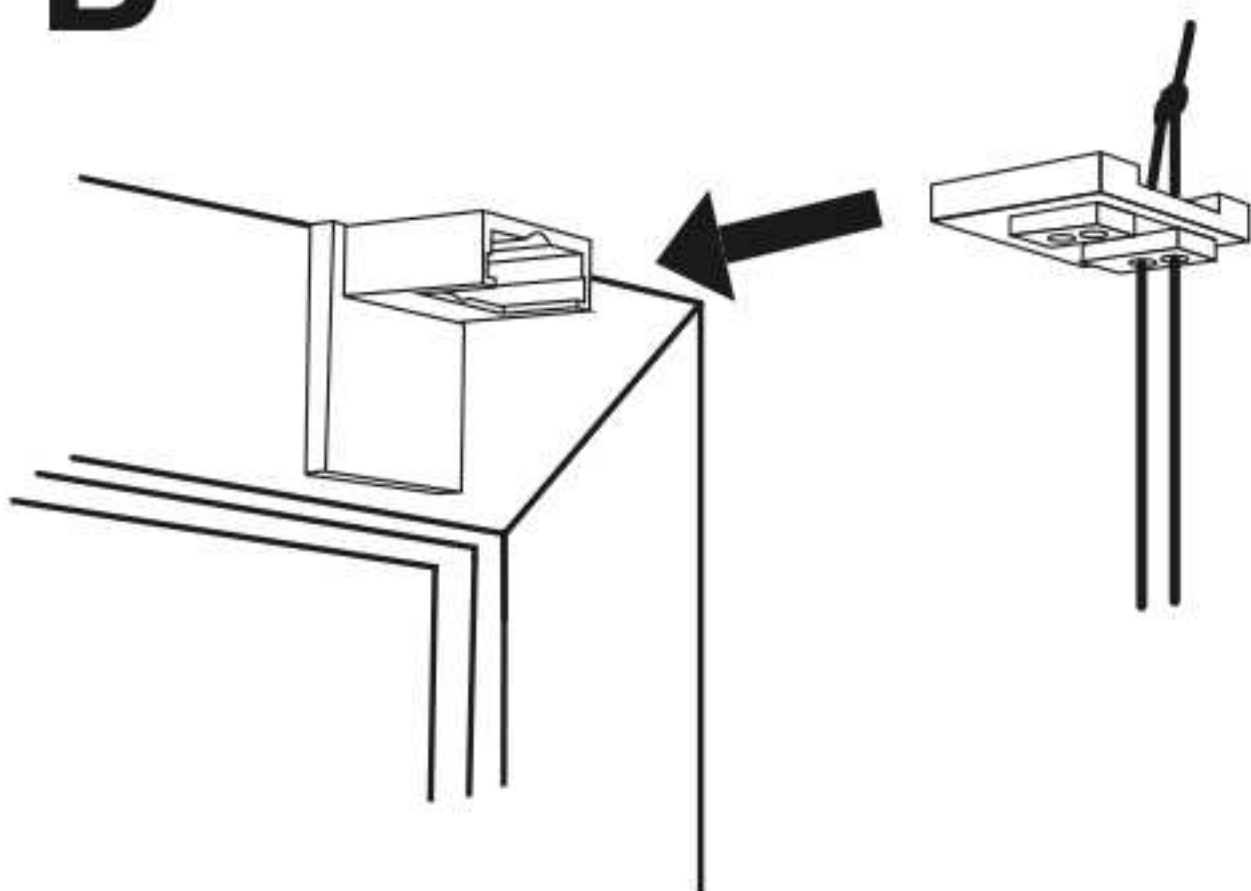
ALCOHOL

2 x ✓

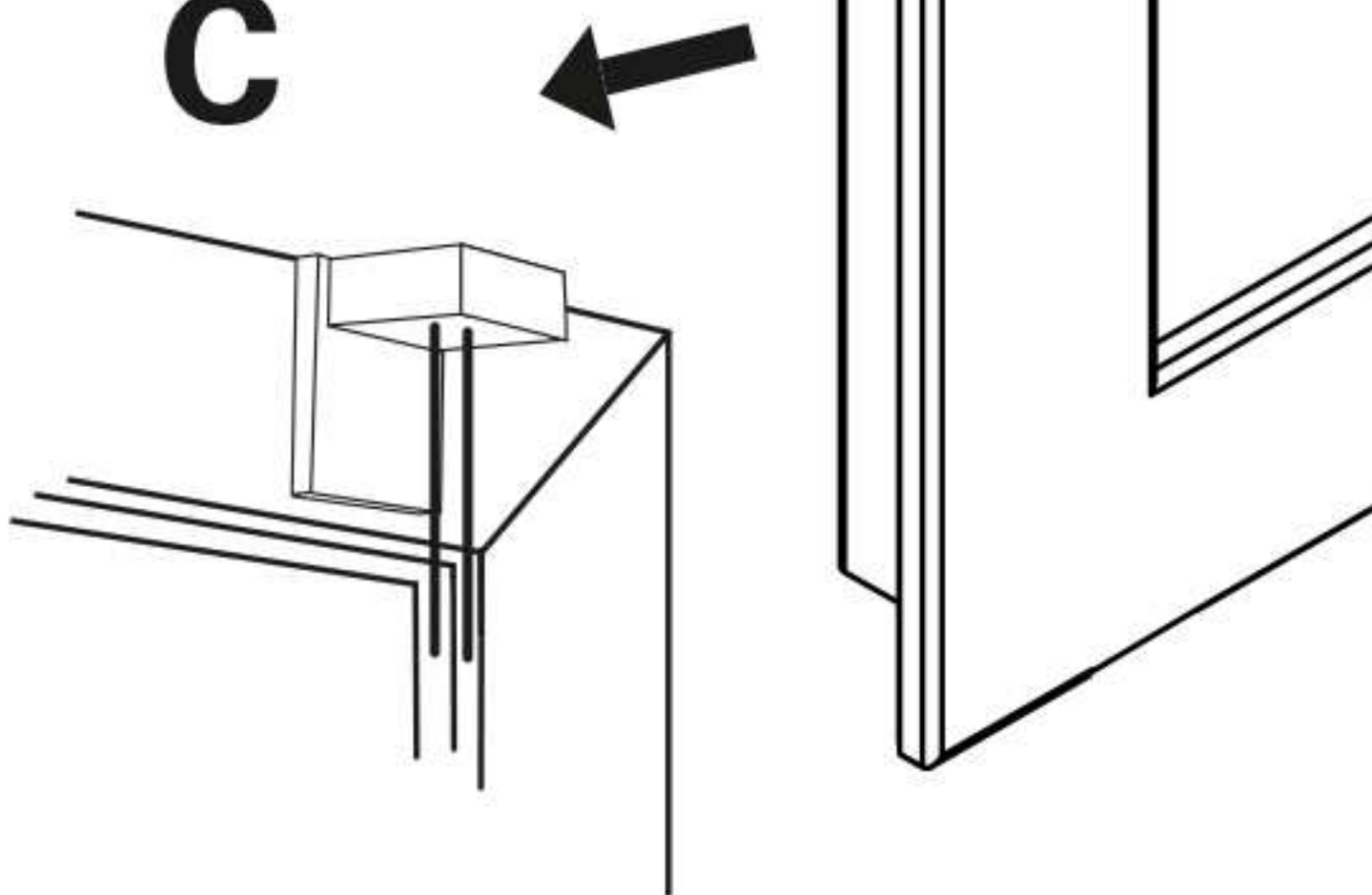
A



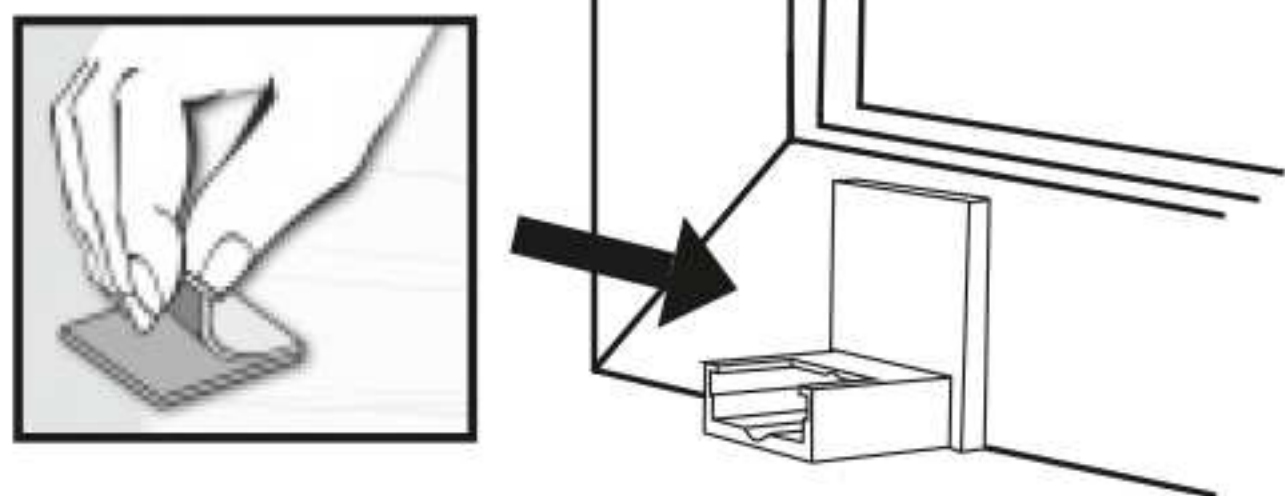
B



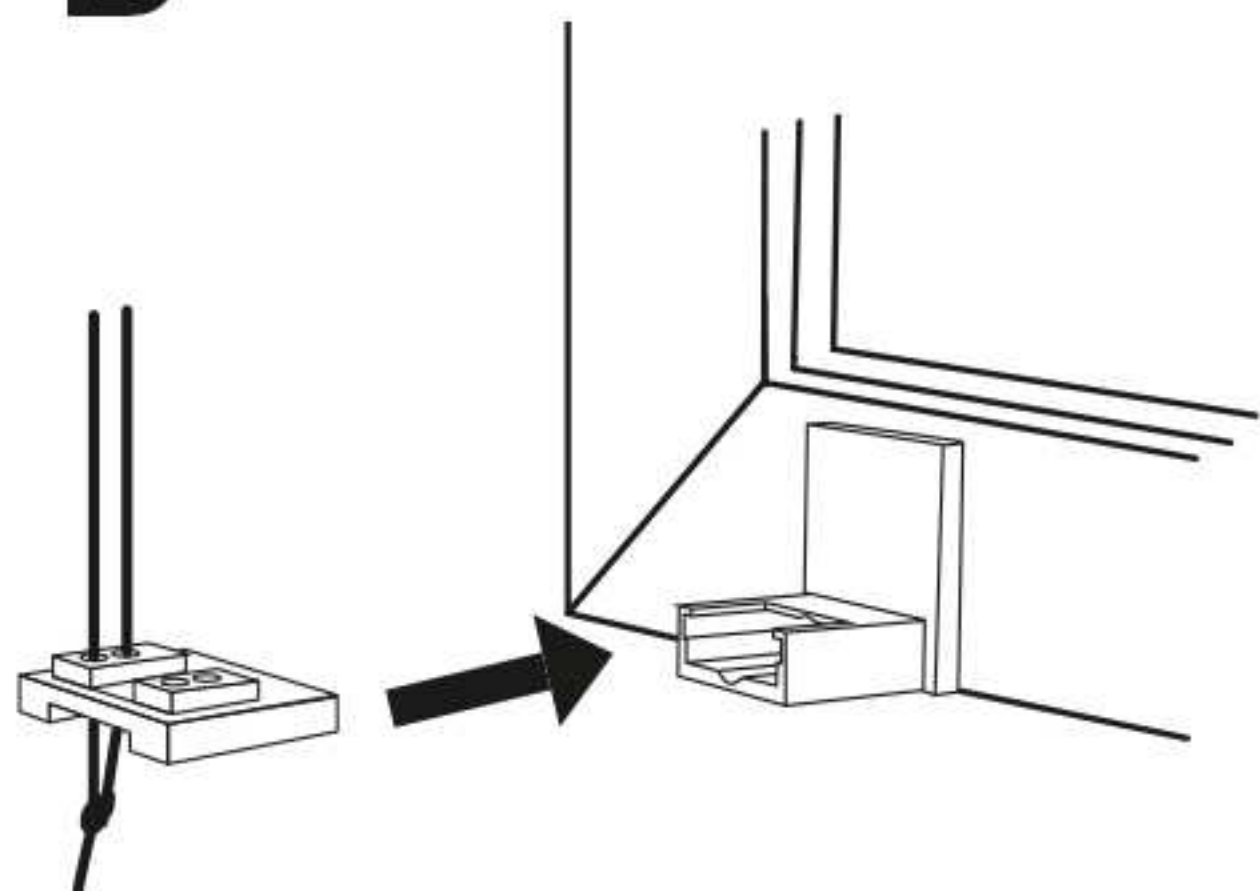
C



A



B



C

